

Platinum

by Western Window

230P SINGLE HUNG

Features

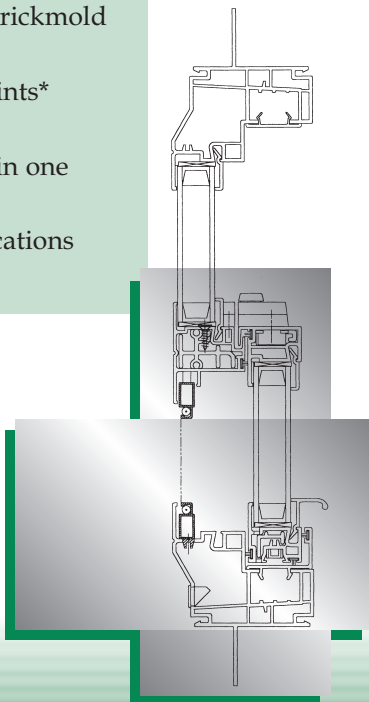
- Beveled frame and equal site lines
- Specially formulated, maintenance free vinyl
- Multi-hollow profile
- 3/4" overall insulating glass
- Tilt-in sash
- Full length interlock
- Finseal weather-stripping
- Auto lock
- 1 1/4" pre-punched nail fin with welded corners
- Fully reinforced lock and meeting rails
- Interior glazed
- Removable fiber glass mesh screen

Benefits

- Rich detail and aesthetically pleasing
- No painting, won't rot or flake
- Provides strength and enhances thermal performance
- Energy efficient and reduces outside noise
- Easy cleaning
- Enhanced durability and security while reducing air infiltration
- Protects against air and water infiltration
- Security – passes all CA Forced Entry codes
- Weathertight and easy to install
- Insures performance and integrity
- Easily re-glazed from inside
- Easy maintenance and cleaning

Options

5/8" flat grid or 1" euro grid
Custom grid patterns
White or almond frame colors available
Mulling capabilities
Snap on frame accessories such as brickmold and "J" channel*
Glass options such as obscure and tints*
Radius top
Double & Triple Single Hung units in one perimeter frame
Integral Flush Fin for Retrofit applications



PLATINUM SERIES
Single Hung

*For a complete list of options consult your Western Window representative.