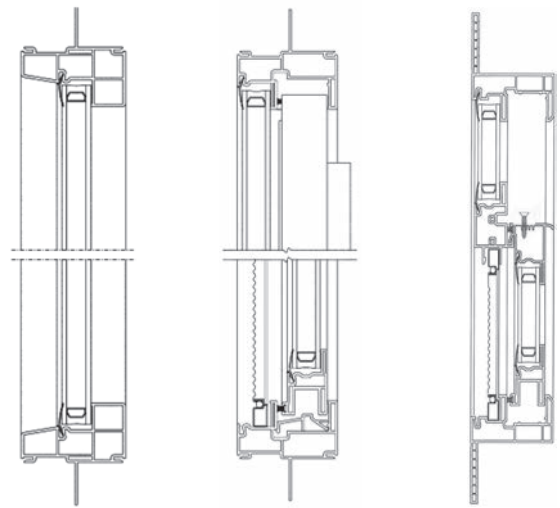


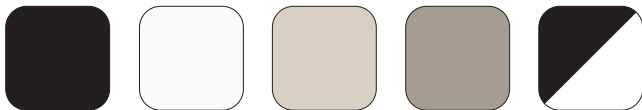
Signature™ Windows series



Picture **Single-Hung
Single-Slide** **Flush Fin***

Versatile design, contemporary look

The Signature Series combines a versatile look with high performance. Whether new construction or replacement, the common components result in easier fabrication & faster lead-times. Available in Eclipse, White, Almond, Clay, or Black with White interior.



Eclipse White Almond Clay Black/White



- 2-11/16" frame depth provides strength and performance
- Multi-chambered frame with weep channels for efficient drainage
- SunShield® Vinyl offers superior weather resistance with no painting
- Interlocking sash for better air & water infiltration resistance
- 1-3/8" nail-fin set back accommodates most exterior trim
- An accessory J-Channel can be added to any standard frame window or door
- Automated welding on sash & frame
- Insulated glass is 3/4" OA with Double Strength glass & Argon standard
- Limited lifetime warranty

*Available in Eclipse, White and Almond only.

Performance Ranges

Structural
NAFS: Up to LC-PG40

Thermal
U Factor: Down to .23

Acoustical
STC: Up to 31db

Signature™ series Thermal Value Results

Series	Config	Class 1	Spacer	Class 2	U-Value	SHGC	VLT	CR	STC
330 PW	PW	LE	ARG	CL	0.27	0.34	0.62	63	30
330 PW	PW	LE	ARG	IS20	0.23	0.30	0.59	51	30
330 PW	PW	LE+	ARG	CL	0.27	0.21	0.48	62	30
330 PW	PW	LE+	ARG	IS20	0.23	0.21	0.47	51	30
330 SH, SL	SH	LE	AIR	CL	0.33	0.28	0.54	56	31
330 SH, SL	SH	LE	ARG	CL	0.30	0.28	0.54	59	31
330 SH, SL	SH	LE	ARG	IS20	0.26	0.27	0.53	49	31
330 SH, SL	SH	LE+	ARG	CL	0.30	0.21	0.48	59	31
330 SH, SL	SH	LE+	ARG	IS20	0.26	0.20	0.47	49	31
330 SH, SL	SH	LE	AIR	CL	0.33	0.28	0.55	57	31
330 SH, SL	SL	LE	ARG	CL	0.29	0.28	0.55	60	31
330 SH, SL	SL	LE	ARG	IS20	0.26	0.27	0.53	50	31
330 SH, SL	SL	LE+	ARG	CL	0.29	0.21	0.48	60	31
330 SH, SL	SL	LE+	ARG	IS20	0.26	0.20	0.47	50	31

WW Standard IGU consisting of dual double strength glass, LowE/Clr, Argon 90, Warm-edge spacer.

Firma™ Thermal Value Results

Patio Door System

Series	Config	Class 1	Spacer	Class 2	Spacer	Class 3	U-Value	SHGC	VLT	CR	STC
159 PD	Patio Slider	LE	ARG	CL	X	X	0.28	0.29	0.56	61	30
159 PD	Patio Slider	LE	ARG	IS20	X	X	0.24	0.28	0.54	50	30
159 PD	Patio Slider	LE+	ARG	CL	X	X	0.28	0.21	0.50	61	30
159 PD	Patio Slider	LE+	ARG	IS20	X	X	0.24	0.20	0.50	61	30
159 PD	Patio Slider	LE+	ARG	CL	ARG	LE+	0.21	0.18	0.34	65	N/A

WW Standard IGU consisting of dual double strength glass, LowE/Clr, Argon 90, Warm-edge spacer.

Abbreviation Meaning

AIR	The earth's atmosphere consisting primarily of Nitrogen, Oxygen and Argon
ARG	Argon gas
AW	Awning window
CL	Clear glass
CR	Condensation resistance
CS	Casement window
FS	Fixed sash window for equal sight-lines
IS20	A hard-coat applied to the interior surface to enhance thermal insulation
LE	LowE soft coat of 2 applications of silver to the glass
LE+	LowE soft coat of 3 applications of silver to the glass
PW	Picture window
SH	Single hung window
SHGC	Solar Heat Gain Coefficient
SL	Slider window
STC	Sound Transmission Class
VLT	Visible Light Transmission

